



The **Champion 58** Series Relax Recliner is a cost-effective, versatile choice in patient seating. Start with basic recliner and choose only the features required for your specific treatment therapies. Sized for patients up to 500 lbs, the 58 Series offers durable three-inch dual steel casters and a reinforced steel frame for larger patients and is ideal for oncology, dialysis, infusion therapy, patient rooms and other treatment needs.

Features

- Stationary arms
- 3" dual steel casters
- Wall-hugger mechanism (infinite recline positions)
- Quick-release seat
- All steel, powder-coated frame
- Patient weight capacity: 500 lbs.



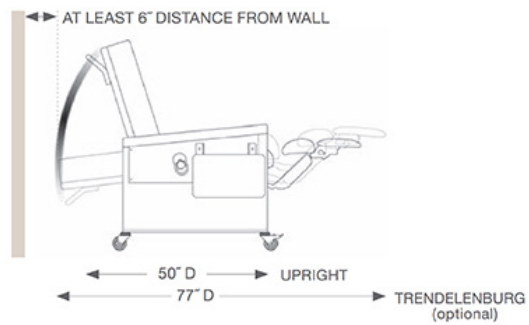
Specifications

General

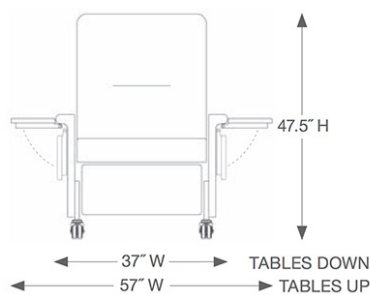
- Back Height (from floor/seat):** 47.5" / 29"
- Overall width (2 table down/up):** 37" / 57"
- Seat Width:** 27.5"
- Arm Height from Floor (front/back):** 28.5"/25.5"
- Seat Height/Depth:** 22.5"/21"
- Upright Overall Depth (w/handle):** 50"
- Trendelenburg Depth (ext. length):** 77"
- Thermal Plastic Casters:** 3"
- Weight Capacity:** 500 lbs.



SIDE VIEW



FRONT VIEW



TOP VIEW

